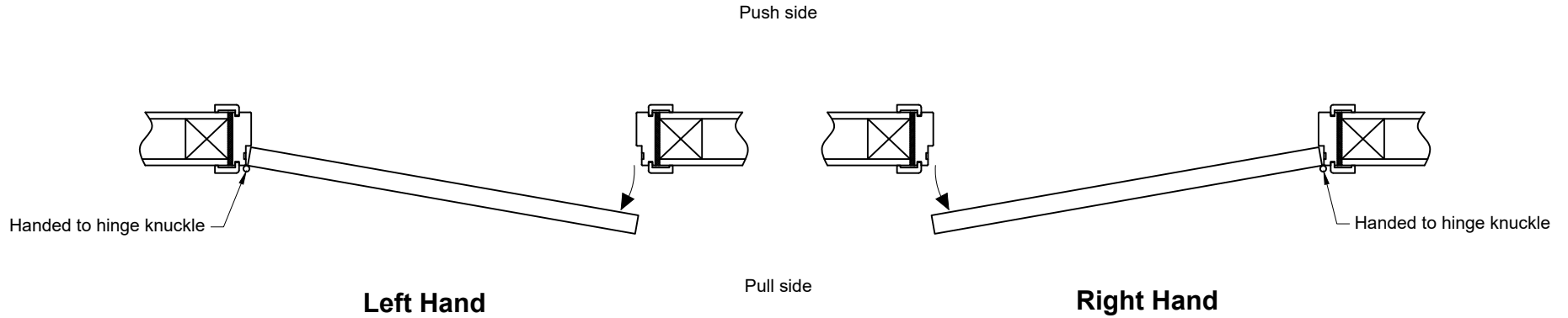
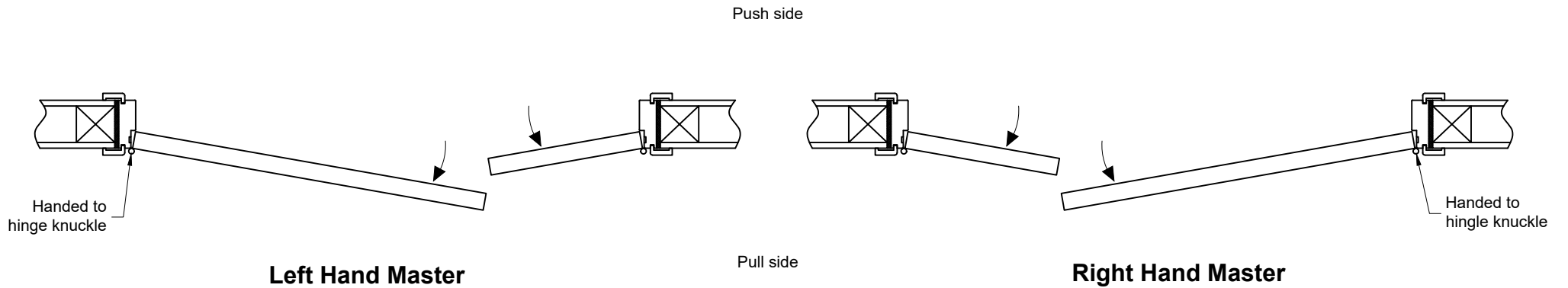


## Single Door



## Paired Doors



**Do Not Scale.**

**If In Doubt Ask!**

**Description: Door handings paired and singles**



Unit 6, Ranskill Court,  
Sheffield,  
S9 5FZ.

Size: N/A

Tolerance: +/- 0.5mm

Fire Rating: N/A

Drawn By: K. Sharpe

Approved: P. Brush

Drawing No: DP10203

Revision: 05

Drawn Date: 25/04/19

©Doorpac Limited

All Dimensions Are  
In mm Unless Stated.